

RL4260

Bright Field Ring Light



- Ai**) Ai's work-horse ring light provides significant illumination in a medium sized housing.
- Ai**) Axial light source designed for non-specular objects.

Ordering Information

Standard Product:
Shipped Next Day

RL4260-660100L

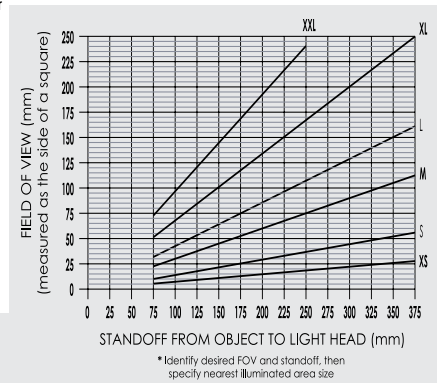
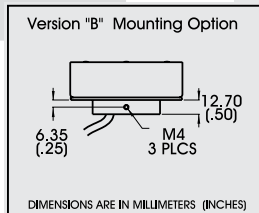
Configured for use with Ai Power Supply

RL4260-660100L24

Configured for use with user supplied 24vDC Power

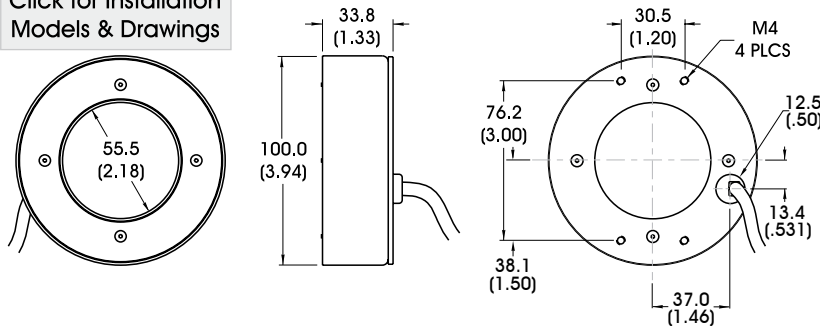
Standard Product Variation:
Shipped Within Two Weeks

Mounting option	Spectral wavelength	Stand off	Field of view	Optional power Compatibility	Optional Light Conditioning	Alternative Connector
RL4260 X	-	XXX	XXX	XX	X	XXX
B	(UV) 395 [◇] (blue) 470 [†] (green) 520 [†] (yellow) 590 (orange) 625 (red) 660 (infra-red) 880 (white) WHI [†] (all color) RGB [⊙]	See chart to compute standoff.	XXL XL L M S XS	IC IS C2 C3 C5 12 24	D (Diffuser) P (Polarizer)	M12* (male)



Dimensional Information

Click for Installation Models & Drawings



[◇] UV LEDs have a considerably shorter half-life than other LEDs (<1000hrs). For this reason Ai recommends these LEDs be used in strobe mode only.

- IC = ICS (requires 24v power supply)
- IS = ISU (requires 24v power supply)
- C2 = Ai Connector
- C3 = Pulsar 710 Connector
- C5 = Pulsar 320 Connector
- * Available with IC, IS, and 24v options only
- [†] Not available in 12v
- [⊙] ICS option not available

Cable Length: 1.5 Meter (59")

Includes Mounting Bracket (Part # CB092)

Standard Variation Current Specifications

	blue	green	yellow	orange	red	infra-red	white	RGB	
@12	N/A	N/A	240	240	360	420	N/A	N/A	mA
@24	240	240	120	120	180	240	240	250	mA

Standard Product Information

Product Lifetime:	50,000 hours
Operating Temperature:	0-60° C