

Your single source for Imaging Solutions

www.uniforcesales.com

Camera Link Cables

PART NUMBER REFERENCE

USE – CBL – X – X – (X) M

Select Connector Type: End “A”

- 1 = MDR (Standard) Male Straight Exit
- 5 = SDR / HDR (Mini) Male Straight Exit

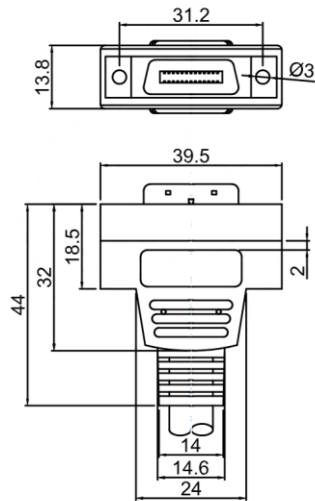
Select Connector Type: End “B”

- 1 = MDR (Standard) Male Straight Exit
- 5 = SDR / HDR (Mini) Male Straight Exit

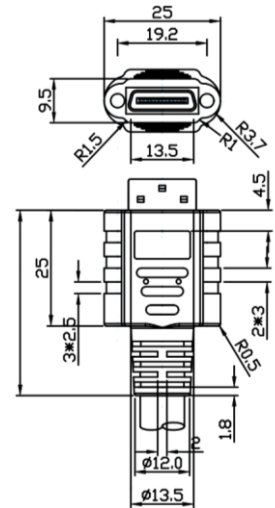
Option: Length in Meters

1 – 10 Meters available

Connector Type Options



1 = MDR (Standard) Male Straight Exit



5 = SDR / HDR (Mini) Male Straight Exit

HEADQUARTERS

42501 Albrae Street, Suite 210
Fremont, CA 94538
510.657.4000 ph 510.657.4010 fax
www.uniforcesales.com
info@uniforcesales.com

