



# Instruction Manual

## USE-KTX 1200 Keyboard

---



*Please read this manual thoroughly before use, and keep it handy for future reference.*

ISSUE 1 February, 2007

LIMITATI ON OF LIABILITY

THE INFORMATION IN THIS PUBLICATION IS BELIEVED TO BE ACCURATE IN ALL RESPECTS, HOWEVER, WE CANNOT ASSUME RESPONSIBILITY FOR ANY CONSEQUENCES RESULTING FROM THE USE THERE OF. THE INFORMATION CONTAINED HEREIN IS SUBJECT TO CHANGE WITHOUT NOTICE. REVISIONS OR NEW EDITIONS TO THIS PUBLICATION MAY BE ISSUED TO INCORPORATE SUCH CHANGES.

## FCC COMPLIANCE STATEMENT

FCC INFORMATION : THIS EQUIPMENT HAS BEEN TESTED AND FOUND TO COMPLY WITH THE LIMITS FOR A CLASS A DIGITAL DEVICE, PURSUANT TO PART 15 OF THE FCC RULES. THESE LIMITS ARE DESIGNED TO PROVIDE REASONABLE PROTECTION AGAINST HARMFUL INTERFERENCE WHEN THE EQUIPMENT IS OPERATED IN A COMMERCIAL ENVIRONMENT. THIS EQUIPMENT GENERATES, USES, AND CAN RADIATE RADIO FREQUENCY ENERGY AND IF NOT INSTALLED AND USED IN ACCORDANCE WITH THE INSTRUCTION MANUAL, MAY CAUSE HARMFUL INTERFERENCE TO RADIO COMMUNICATIONS. OPERATION OF THIS EQUIPMENT IN A RESIDENTIAL AREA IS LIKELY TO CAUSE HARMFUL INTERFERENCE IN WHICH CASE THE USER WILL BE REQUIRED TO CORRECT THE INTERFERENCE AT HIS OWN EXPENSE.

CAUTION : CHANGES OR MODIFICATIONS NOT EXPRESSLY APPROVED BY THE PARTY RESPONSIBLE FOR COMPLIANCE COULD VOID THE USER'S AUTHORITY TO OPERATE THE EQUIPMENT.

THIS CLASS A DIGITAL APPARATUS COMPLIES WITH CANADIAN ICES - 003.  
CET APPAREIL NUMÉRIQUE DE LA CLASSE A EST CONFORME À LA NORME NMB-003 DU CANADA.

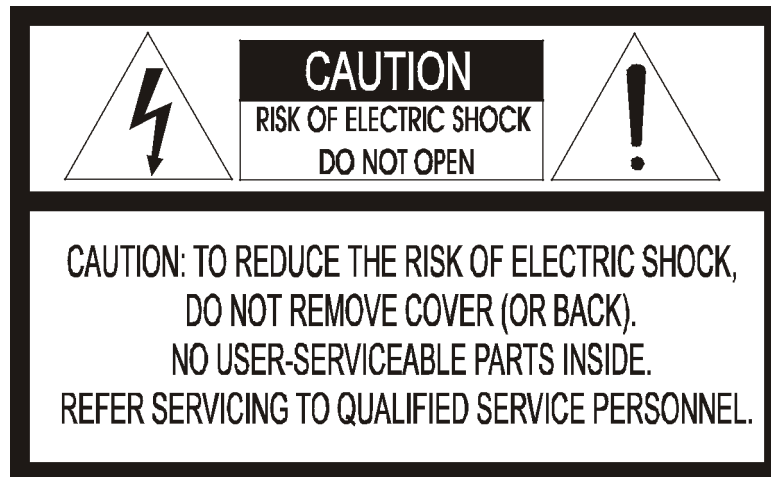
## CE COMPLIANCE STATEMENT

WARNING THIS IS A CLASS A PRODUCT. IN A DOMESTIC ENVIRONMENT THIS PRODUCT MAY CAUSE RADIO INTERFERENCE IN WHICH CASE THE USER MAY BE REQUIRED TO TAKE ADEQUATE MEASURES.

## WARNINGS AND CAUTIONS

TO REDUCE THE RISK OF FIRE OR ELECTRIC SHOCK, DO NOT EXPOSE THIS PRODUCT TO RAIN OR MOISTURE. DO NOT INSERT ANY METALLIC OBJECTS THROUGH THE VENTILATION GRILLS OR OTHER OPENINGS ON THE EQUIPMENT.

### CAUTION



## EXPLANATION OF GRAPHICAL SYMBOLS



The lightning flash with arrowhead symbol, within an equilateral triangle, is intended to alert the user to the presence of uninsulated dangerous voltage within the products enclosure that may be of sufficient magnitude to constitute a risk of electric shock to persons.



The exclamation point within an equilateral triangle is intended to alert the user to the presence of important operating and maintenance (servicing) instruction in the literature accompanying the product.

---

# IMPORTANT SAFEGUARDS

---

## 1. READ AND RETAIN INSTRUCTIONS

Read the instruction manual before operating the equipment. Retain the manual for future reference.

## 2. CLEANING

Turn the unit off and unplug from the power outlet before cleaning. Use a damp cloth for cleaning. Do not use harsh cleansers or aerosol cleaners.

## 3. ATTACHMENTS

Do not use attachments unless recommended by manufacture as they may affect the functionality of the unit and result in the risk of fire, electric shock or injury.

## 4. MOISTURE

Do not use equipment near water or other liquids.

## 5. ACCESSORIES

Equipment should be installed in a safe, stable location. Any wall or shelf mounting accessory s equipment should be installed using the manufacture instructions. Care should be used when moving heavy equipment. Quick stops, excessive force, and uneven surfaces may cause the equipment to fall causing serious injury to persons and objects.

## 6. VENTILATION

Openings in the equipment, if any, are provided for ventilation to ensure reliable operation of the unit and to protect if from overheating. These openings must not be blocked or covered

## 7. POWER SOURCES

The equipment should be operated only from the type of power source indicated on the marking label. If you are not sure of the type of power supplied at the installation location, contact your dealer. For equipment designed to operate from battery power, refer to the operating instructions.

## 8. GROUNDING OR POLARIZATION

Equipment that is powered through a polarized plug (a plug with one blade wider than the other) will fit into the power outlet only one way. This is a safety feature. If you are unable to insert the plug fully into the outlet, try reversing the plug. Do not defeat the safety purpose of the polarized plug.

Alternate Warning: If the equipment is powered through a three- way grounding-type plug, a plug having a third (grounding) pin, the plug will only fit into a grounding-type power outlet. This is a safety feature. Do not defeat the safety purpose of the grounding- type plug. If your outlet does not have the grounding plug receptacle,contact your local electrician.

## 9. CORD AND CABLE PROTECTION

Route power cords and cables in a manner to protect them from damage by being walked on or pinched by items places upon or against them.

## 10. LIGHTNING

For protection of the equipment during a lightning storm or when it is left unattended and unused for long periods of time, unplug the unit from the wall outlet. Disconnect any antennas or cable systems that may be connected to the equipment. This will prevent damage to the equipment due to lightning or power-line surges.

## 11. OVERLOADING

Do not overload wall outlets and extension cords as this can result in a risk of fire or electric shock.

## 12. SERVICING

Do not attempt to service the video monitor or equipment yourself as opening or removing covers may expose you to dangerous voltage or other hazards. Refer all servicing to qualified service personnel.

## 13. DAMAGE REQUIRING SERVICE

Unplug the equipment from the wall outlet and refer servicing to qualified service personnel under the following conditions:

- A. When the power supply cord or the plug has been damaged.
- B. If liquid has spilled or objects have fallen into the unit.
- C. If the equipment has been exposed to water or other liquids.
- D. If the equipment does not operate normally by following the operating instructions, adjust only those controls that are covered by the operating instructions. Improper adjustment of other controls may result in damage to the unit.
- E. If the equipment has been dropped or the casing damaged.
- F. When the equipment exhibits a distinct change in performance.

## 14. REPLACEMENT PARTS

When replacement parts are required, be sure the rservice technician uses eplacement parts specified by the manufacturer or that have the same characteristics as the original part. Unauthorized substitutions may result in fire, electric shock, or other hazards.

## 15. SAFETY CHECK

Upon completion of any service or repairs to the equipment, ask the service technician to perform safety checks to verify that the equipment is in proper operating condition.

## 16. FIELD INSTALLATION

The installation of equipment should be made by a qualified service person and should conform to all local codes.

{This page intentionally left blank.}

{This page intentionally left blank.}

# TABLE OF CONTENTS

---

CHAPTER 1 INTRODUCTION .....	1
In This Manual .....	1
Remote Keyboard .....	1
Before Installation .....	2
Hardware Overview .....	3
System Configuration and Wiring .....	5
CHAPTER 2 SYSTEM INSTALLATION AND APPLICATIONS .....	6
System Installation .....	6
PTZ Setup & Main Setup .....	6
Easy Setting Functions .....	8
Specifications .....	9



# CHAPTER 1 INTRODUCTION

## In This Manual

---

Overview      This manual covers the operation of the USE-KTX1200keyboard.

---

## USE-KTX1200Keyboard

---

This remote keyboard is an accessory for PTZ dome cameras, etc It allows the users to control from 1 to 255 cameras.

---

### Features:

- Controls from 1 ~ 255 cameras.
- Multiple protocols supported in each channel (WDS,WCY, Pelco D).
- RS - 485/RS-422 communication (Tx : 3 port , Trx :1 port).
- Recalls programmed guard tours from each dome camera.
- Programmable user preferences. (preset, tour, group, etc.).
- Variable manual control speed (Joystick)
- Easy upload programmed data via serial communication port of computer.
- Built-in Graphic LCD monitor with screen.
- Controls many types of camera units.
- User password support.
- Designed for desktop use.
- Use Function keys to select the desired transmission speed. (2.4~57.6 kbps).

**Note: units should be set to the RS 485 communication mode and the same baud rate.**

---

*Continued on next page*

## Before Installation

---

This keyboard system must be installed by qualified service or installation personnel.

Perform the following steps to install the keyboard system.

- A. Unpack all components.
- B. Place the keyboard in a convenient location.

Note: Carefully and completely read the manuals for each piece of equipment before attempting to install and connect the equipment.

- C. Decide on the configuration method.
- D. Use one of the following sections to configure the wiring.

***Continued on next page***

---

# Hardware Overview

**Hardware Components** This remote keyboard contains easy to use control keys on the front and simple input and output connectors on the back.

**Control Buttons** The unit provides the primary operator interface. Most operations are one or two button presses. The following Table contains a description for each buttons on the keyboard. Use Figure 1 as a reference.

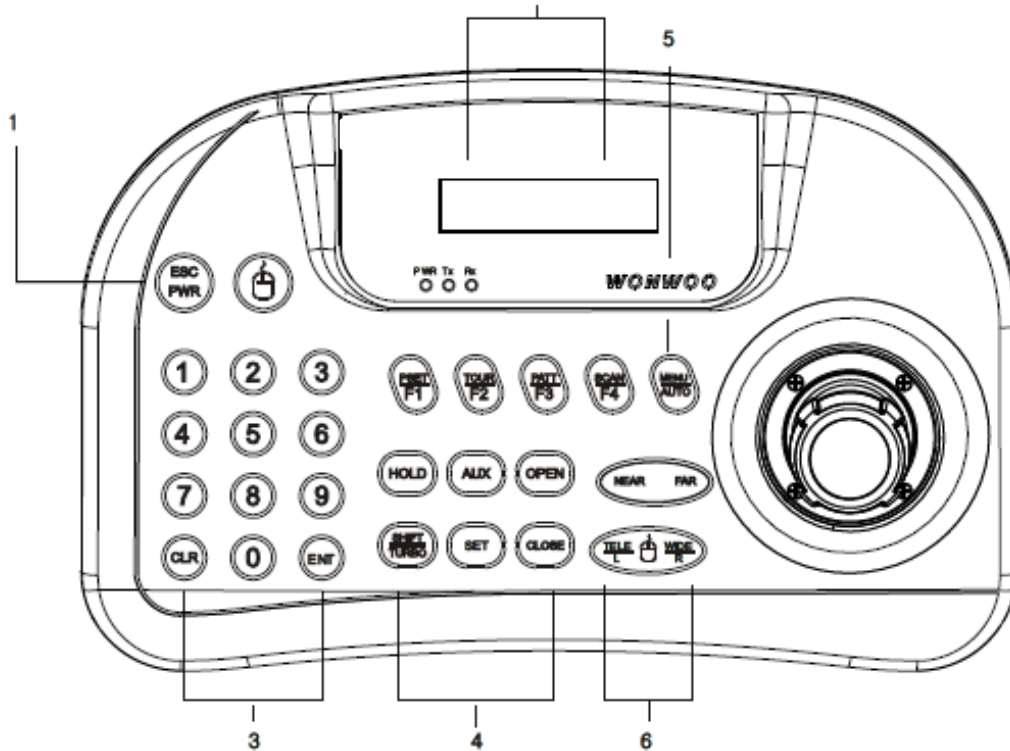




Figure 1. TOP

Number	Button	Description
1	ESC/POWER 	Pressing the ESC/POWER button enters the Power on/off or escape key. Right description led on (red). Pressing it again exits the POWER OFF. (Push the  button (about 2~3 seconds) and then POWER OFF)
2	LCD DISPLAY 16x2 Graphic display	Displays Camera id, Protocol, function status, general status, etc.
3	Numbers 0 ~ 9	Camera id setting value change ,PTZ setup (1+), Main setup (2+)
4	Controller Function keys 	Hold : System locking (Unlocking : Input the Pass word 4 digit ****) SHIFT/TURBO : SHIFT-Key for special function (Customize)/ TURBO -High Speed AUX : External equipment on/off SET : Ptz and main setup (1 + ) , (2+ ) IRIS OPEN : Camera Iris open IRES CLOSE : Camera Iris close
5	Function keys 	F1 ~ MENU/AUTO : Function Keys (Presef, Tour, Pattern, Scan, Auto). MENU :Used for Camera (Pan/Tilt) Menu adjustment.

## Hardware Overview, continued

Control buttons (continued)		
Number	Button	Description
6		Camera Focus control
		Camera Zoom control

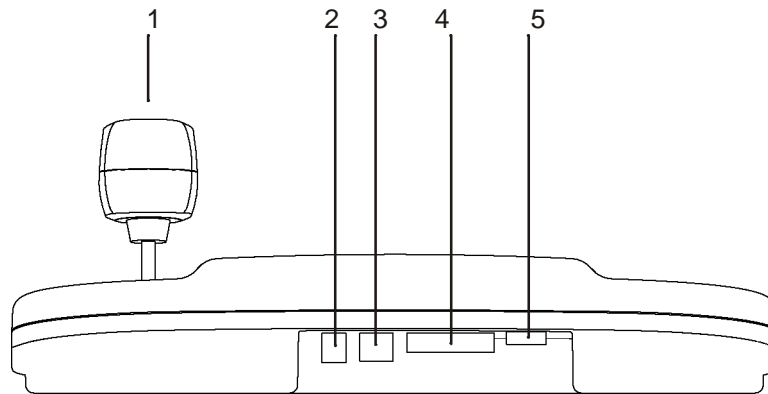

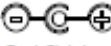




Figure 2. Rear

Number	Item	Description
1	 Joystick	Telemetry Joystick -It allows precise control of Pan/Tilt/Zoom & Moving to menu.
2	 DC 12V Input	DC 12V Input , 1 A
3	 USB PORT	Universal Serial Bus Port (External Equipment communication port)
4	 TRxTx3 Tx2 Tx1 RS-485	RS-485/RS-422 communications. (Tx/Rx : 3 port , Trx :1 port)
5	Program	Download connector (For Program Update)

*Continued on next page*



## CHAPTER 2 SYSTEM INSTALLATION & TYPICAL APPLICATIONS

### System Installation

---

#### Keyboard Installation

Before you start connecting the keyboard equipment to your system, make sure the units to be controlled are completely installed and everything is working correctly. You must set the communication protocol and unit number of the controlled units. The keyboards only method of communication is RS-485. Select the desired baud rate (2.4kbps, 4.8kbps, 9.6kbps, 19.2kbps, 38.4kbps, 57.6 kbps) in unit option setup mode. Use the following steps to set the communication protocol.

---

#### PTZ SETUP & MAIN SETUP

##### PTZ SETUP

PTZ Setup mode: (Press and hold #1 and **SET** for 2 to 3 seconds)

Setup screen allows you to make changes to the unit

In this mode, you can set up the model and communication method.

Note: The baud rate must be the same between the controlled unit and the keyboard

##### PTZ SETUP

[ PTZ SETUP 1 1 PASSWORD [ **** 1	: PASS WORD INPUT (4 DIGITS) <b>(Default 0000)</b>
[ PTZ SETUP 1 1 1. ADDRESS : 001	: ADDRESS CHANGE (1~255) + <b>ENT</b>
[ PTZ SETUP 1 1 2. MODEL : PEL	: MODEL CHANGE (WDS/WCY/PEL,.. ETC)
[ PTZ SETUP 1 1 3. PROTOCOL : PEL-D	: PROTOCOL CHANGE (PEL-D/PEL-P/WON-D, ../ETC)
[ PTZ SETUP 1 1 4. BAUDRATE : 2 . 4 K	: BAUDRATE CHANGE (2.4 KBPS~57.6 KBPS)
[ PTZ SETUP 1 1 5. PARITY : NONE	: PARITY CHANGE (NONE/EVEN/ODD)
[ PTZ SETUP 1 1 6. PROP. : ON	: PROP (ON/OFF) : Proportional speed control.
[ PTZ SETUP 1 1 7. SAVE	: SETUP DATA SAVE
[ PTZ SETUP 1 1 8. EXT	: MENU EXIT

SETUP MENU STAGE MOVE

:Command execution.

*Continued on next page*

## MAIN SETUP

Main Setup mode: (Press and hold #2 and **SET** for 2 to 3 seconds)

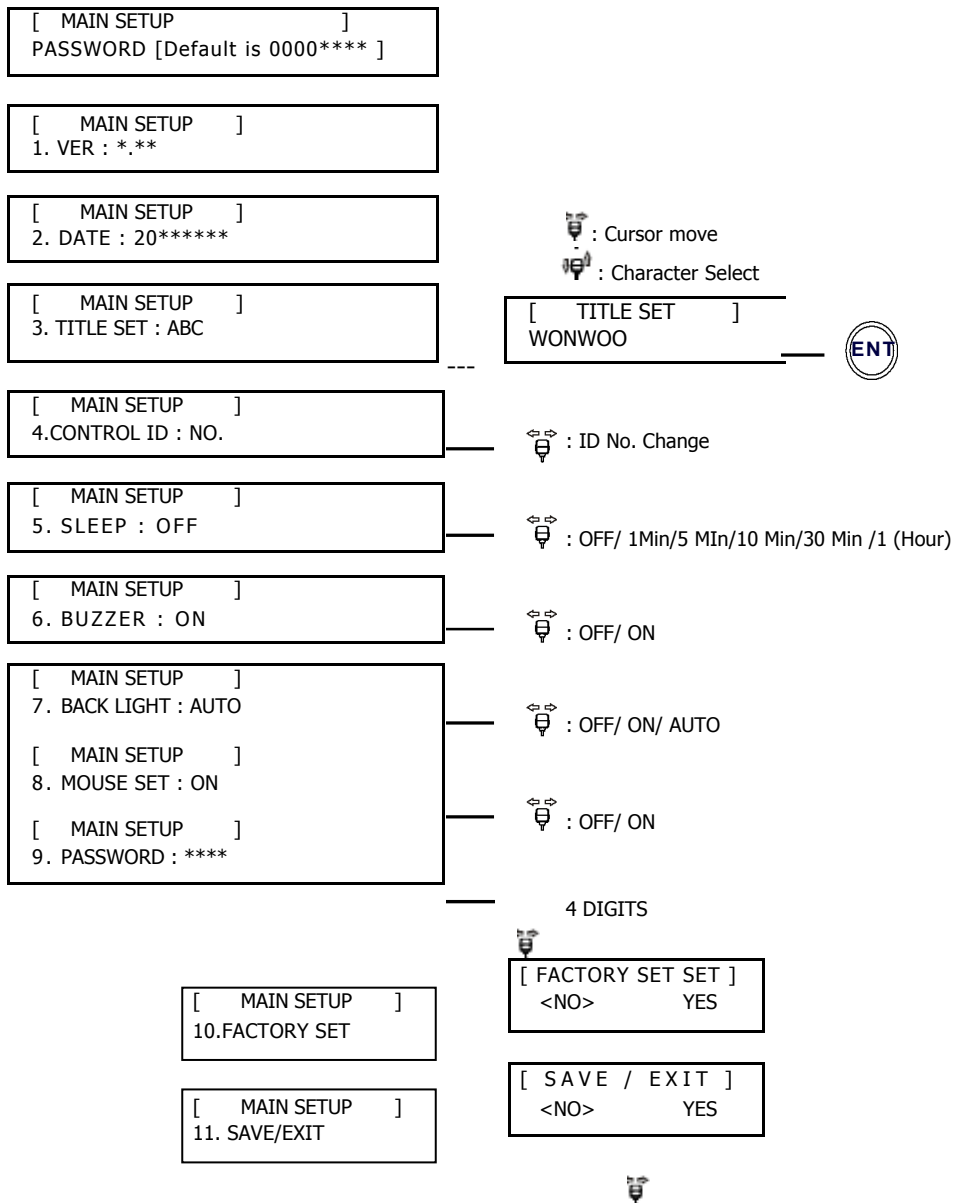
Setup screen allows you to make changes to the unit

In this mode, you can set up the model and communication method.

Note: The baud rate must be the same between the controlled unit and the keyboard.

In Main Setup, the default password is set to 0000.

### MAIN SETUP





## EASY SETTING FUNCTION (E.S.F)



EASY SETTING FUNCTION (Number key + Function key)

Number key + PSET/TOUR/PATT/SCAN/



E.S.F is current position data (pan, tilt, focus, zoom data) save or call of Dome memory



### DATA SAVE

 +  (PSET button 2 seconds push) ➔ Current Position Saved Preset No 2

 +  (TOUR button 2 seconds push) ➔ TOUR MENU CALL OF DOME

### DATA CALL

 +  (PSET button push) ➔ No 2 Preset position execution

 +  (TOUR button push) ➔ NO 3 TOUR Execution of DOME

*Continued on next page*



## USE-KTX 1200 KEYBOARD SPECIFICATIONS

Model	
Keyboard Communication	Interface: RS-485 (Tx 3 port, Trx 1 port)
	Pan/Tilt operating distance : 4700 ft (1029m) No 24 AWG wire
	Protocol: Multiple (Pelco-d, etc. ) (Baud rate selectable)
Connector Type Data	TERMINAL BLOCK (8P)
Keyboard Keypad	Rubber button
	Numeric keypad and camera function key
Joystick	Stick 3-axis, variable speed with zoom
Input Voltage	12V DC or 9V batt (battery mode)
Power Consumption	Max.140mA
LCD Display	Graphic display : 16 * 2 Graphic display
Operating Temperature	0°C to 45°C
Humidity	10% -70 % non-condensing
Dimension & Weight	280(W) x 174(D) x 92(H), Net : 0.7 Kg Gross: 1.7 Kg
Packing include	USE-KTX1200KEYBOARD, ADAPTOR
	BATT 9V(Alkaline), USB CABLE, MANUAL, TERMINAL BLOCK(8p)

Please contact Uniforce Sales & Engineering for more information.  
 42501 Albrae St, Ste 210  
 Fremont, CA 94538  
 (510)657-4000: Phone  
 (510)657-4010: Fax  
[www.uniforcesales.com](http://www.uniforcesales.com)

