



Planar T* 1,4/85



Features

- Fast f/1.4 aperture
- Precise manual focusing
- Robust full-metal construction
- Identical color reproduction of all models
- For industrial cameras with F-Mount up to sensor sizes of 24x36 mm or 43mm line sensors.

ZF-I: Industrial Edition

Features special screws to fix focus and aperture settings even in rough situations.

ZF-IR: Infrared Edition

Features special coating for optimized performance in near-infrared applications.

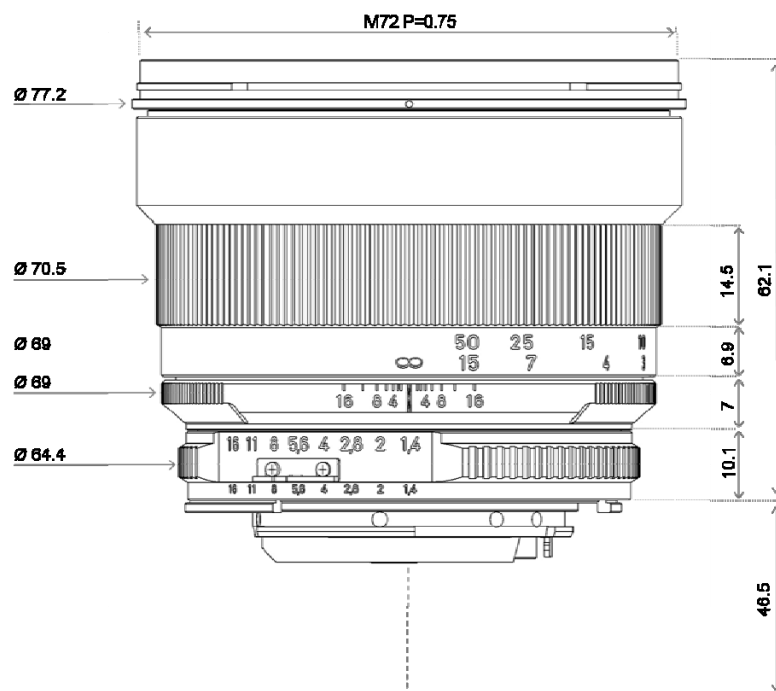
Camera Mounts

Available for other camera mounts such as EF, or M42 screw mount.



Planar T* 1,4/85

Technical Specifications



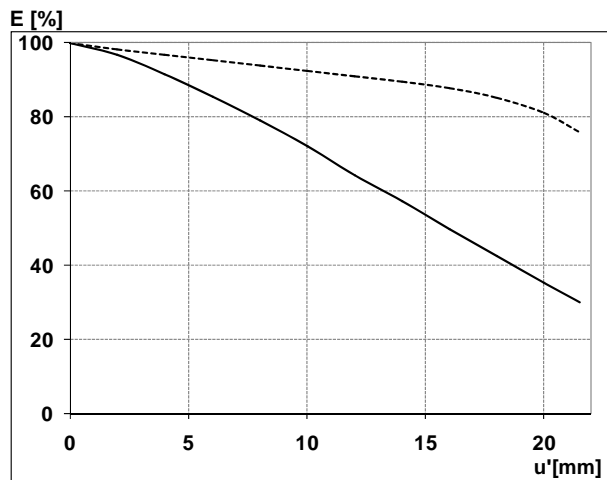
Focal length	85 mm
Aperture range	f/1.4 – f/16 (1/2 stop intervals)
Number of elements / groups	6 / 5
Min. working distance (object to sensor)	1000 mm (3.28 ft.) – ∞
Min. free working distance	883 mm (2.90 ft.) – ∞
Angular field* (diag. / horiz. / vert.)	29 / 24 / 16°
Max. diameter of image field	43 mm (1.7")
Flange focal length	F-Mount: 46.5 mm (1.8"); M42-Mount: 45,5 mm
Coverage at close range	240 x 360 mm (9.4 x 14"), line 430 mm (16.5")
Image ratio at close range	1:10
Filter-thread	M 72 x 0.75
Weight	600 g (1.2 lbs.)
Camera mount	F bayonet, M42, EF

* referring to 35 mm format



Planar T* 1,4/85

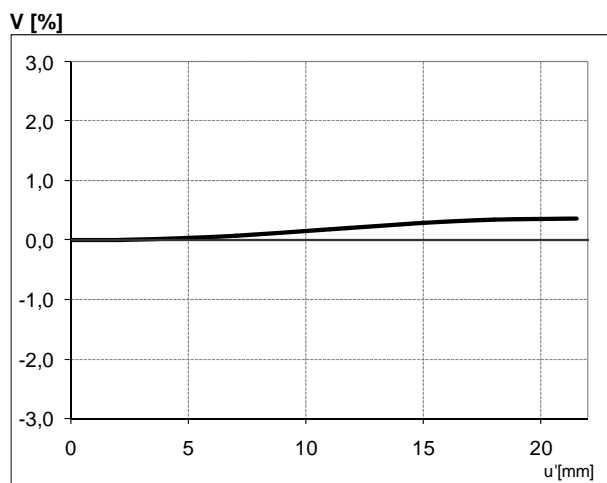
Relative Illuminance*



The relative illuminance shows the decrease in image brightness from the image center to the edge in percent.

— f-number 1.4
... f-number 2.8

Relative Distortion*



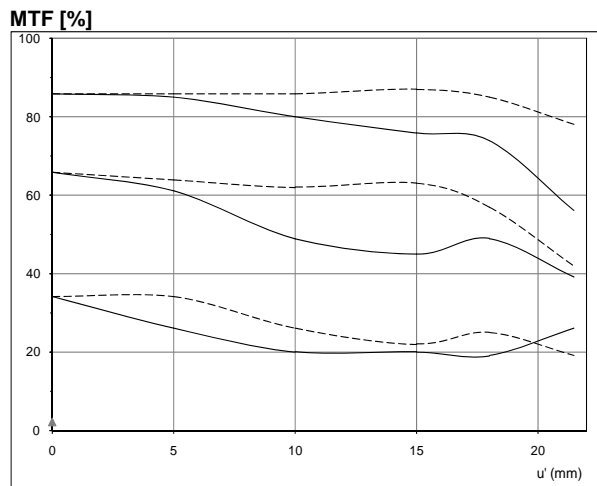
The relative distortion shows the deviation of the actual image height from the ideal one in percent.

*Data for infinite focus setting



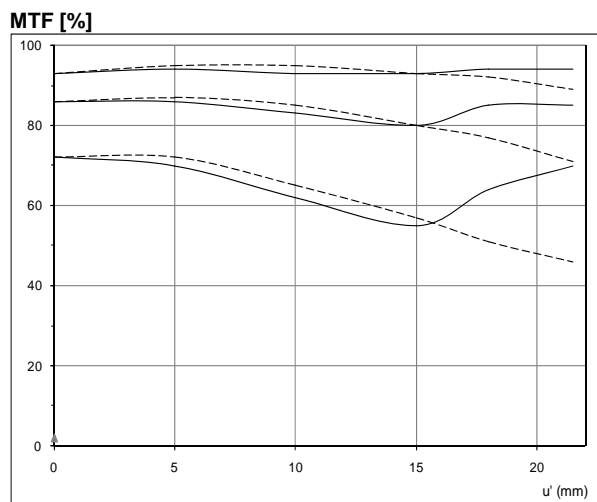
Planar T* 1,4/85

MTF Charts*



The Modulation Transfer (MTF) as a function of image height (u') and slit orientation (sagittal, tangential) has been measured with white light at spatial frequencies of $R = 10, 20$ and 40 cycles/mm. The MTF charts are valid for the ZF, ZF-I version and for white light.

f-number 1.4
— Sagittal
... Tangential



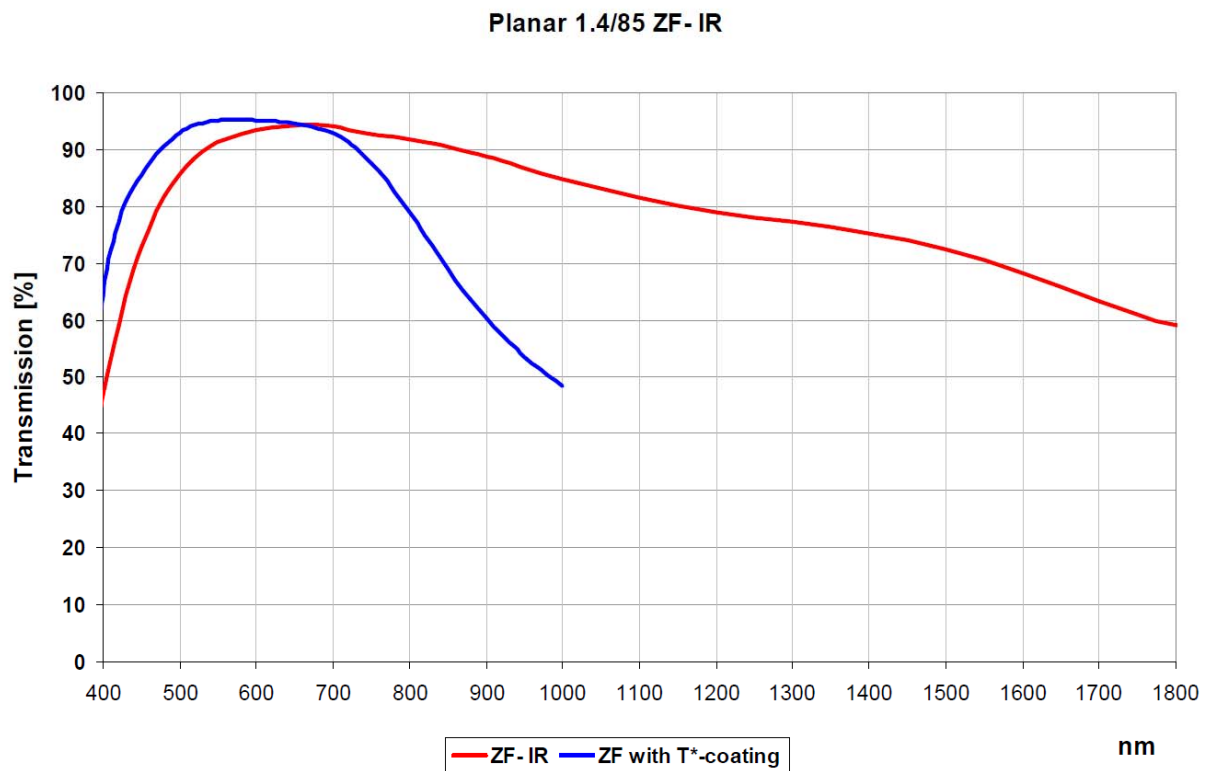
f-number 5.6
— Sagittal
... Tangential

*Data for infinite focus setting / Not for IR version



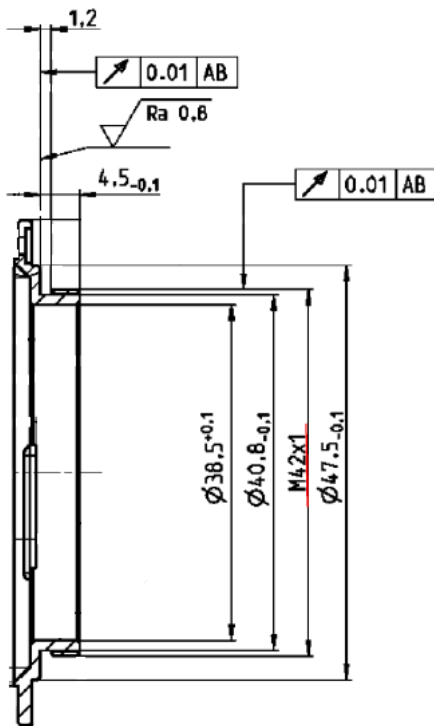
Planar T* 1,4/85

Spectral Transmission ZF vs. ZF-IR





Planar T* 1,4/85



M42 Mount for 45,5 mm Flange Focal Distance

The diameter of the camera/lens adapter must not exceed 55 mm at the lens side!

Authorized Distributor:



Your single source for Imaging Solutions

Ph. 510.657.4000

info@uniforcesales.com

www.uniforcesales.com