

❖ **SP-5000-GE2**  
5-megapixel CMOS global shutter



- **Large format 5 MP CMOS imager (global shutter)**
- **Up to 44 fps at full resolution**
- **5.0  $\mu\text{m}$  square pixels in a 5:4 aspect ratio**
- **Monochrome or color models with built-in color interpolation on color model**
- **60 dB linear dynamic range with up to 84 dB piecewise HDR modes (monochrome only)**
- **Analog front-end gain control for reduced noise in low light images**
- **On-chip analog gain for individual R, G, + B control (color models)**
- **Exposure control from 10  $\mu\text{s}$  (1/100,000) to 8 seconds in 1  $\mu\text{s}$  steps**
- **ROI modes for flexible readout, windowing, or increasing frame rate**
- **Vertical and horizontal binning on monochrome model**
- **8/10-bit digital output over dual GigE Vision 2.0 interface with Link Aggregation**
- **C-mount lens mount**
- **Automatic Level Control (ALC) for dynamic lighting conditions**
- **Programmable P-iris lens control or 3-axis control for operation of motorized lenses, pan/tilt heads, or other analog accessories**



# Specifications for SP-5000-GE2

# Spark Series

Specifications	SP-5000-GE2
Sensor	1" CMOS global shutter
System clock	72 MHz (for pulse generator)
Frame rate, full frame	44 frames/sec. @ 8-bit LAG
Active area	12.8 mm (h) x 10.2 mm (v), 16.39 mm diagonal
Cell size	5.0 μm (h) x 5.0 μm (v)
Active pixels	2560 (h) x 2048 (v)
Read-out modes	Full: 2560 (h) x 2048 (v) up to 44 fps ROI (mono): 8 lines to full frame height and width in 2-line steps, with X offset in 16-pixel steps ROI (color): 8 lines to full-frame height in 2-line steps, with width in 2-pixel steps and X offset in 4-pixel steps Binning: 1x2, 2x1, 2x2 (monochrome only)
EMVA 1288 Parameters	10-bit output format
Absolute sensitivity (mono)	23.50 p (λ = 525 nm)
Absolute sensitivity (color)	36.08 p (λ = 525 nm)
Maximum SNR (mono)	41.48 dB
Maximum SNR (color)	38.00 dB
Traditional SNR*	mono: >55 dB (0 dB gain) color: >53 dB (0 dB gain, green)
Video signal output	mono: 8/10/12-bit monochrome color (raw): 8/10/12-bit raw Bayer color (interpolated): 24-bit RGB, YUV 411, YUV 422, YUV 444
Auto-iris lens video output	0.7Vp-p, with 0.3V horiz. sync
Gain	Manual/automatic 0 dB to +24 dB
White balance (EL-2800C)	Manual, one-push auto, or continuous (3000K to 9000K)
Gamma	0.45-1.0 (16 steps) or 256-point LUT
Synchronization	Internal
Trigger input	Opto In (2), Pulse Generators (4), Software, User Output (4), Actions (2)
Trigger modes	EPS, PIV, Trigger Width, Timed RCT (with ALC), Sequence
Electronic shutter	Timed exposure: 10 μs to 8 sec in 1 μs steps Auto shutter: 1/44 to 1/100000 sec.
Auto Level Control (ALC)	Shutter range from 1/44 to 1/100000, gain range from 0 dB to +24 dB, auto iris control. Tracking speeds and max values adjustable.
High Dynamic Range function	4 built-in HDR slopes. Selectable up to ~84 dB.
Pre-processing functions	Flat field correction, color shading correction (SP-5000C), blemish compensation (512 pixels)
3-axis control	Programmable control of motorized lenses, pan/tilt heads, and other analog accessories
Operating temperature	-45°C to +70°C†
Storage temperature	-45°C to +70°C
Humidity	20 – 80% non-condensing
Vibration	10 G (20Hz to 200Hz XYZ)
Shock	80 G
Regulations	CE (EN61000-6-2, EN61000-6-3), FCC Part 15 class B, RoHS/WEEE
Power	12V to 24V DC ± 10%. 6.25W typical (full frame @ 12V)
Lens mount	C-mount (fixed or adjustable)
Dimensions (H x W x L)	62 mm x 62 mm x 55.5 mm
Weight	215 g

## Ordering Information

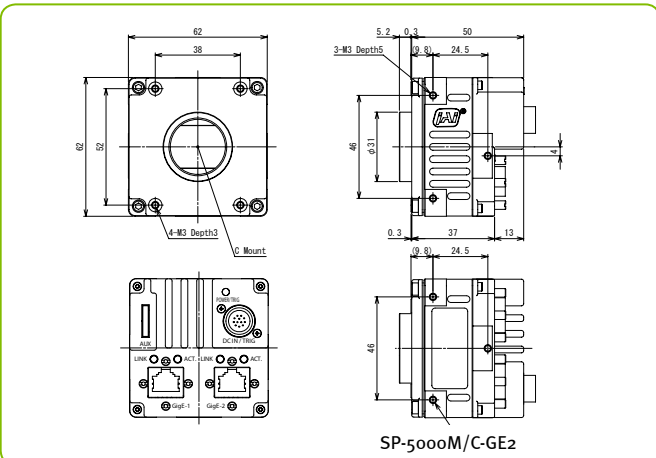
SP-5000M-GE2	Monochrome camera with GigE Vision
SP-5000C-GE2	Color camera with GigE Vision

Note: add -CX to model number for adjustable C-mount

\*Traditional SNR is based on random noise in a single frame, where EMVA SNR measurements consider more comprehensive noise sources and variance over time. For a more complete description, see the manual.

†Reduced performance may occur when operating outside the standard range of -10°C to +50°C

## Dimensions



## Color Interpolation (in-camera)

YUV 411	Dual-channel (LAG) 29 fps or single-channel @ 14 fps
YUV 422	Dual-channel (LAG) 22 fps or single-channel @ 11 fps
YUV 444	Dual-channel (LAG) 14.6 fps or single-channel @ 7.3 fps
RGB 24-bit	Dual-channel (LAG) 14.6 fps or single-channel @ 7.3 fps

## Connector pin-out

### DC In / Trigger

HIROSE HR10A-10R-12PB-01 Connector pin-out

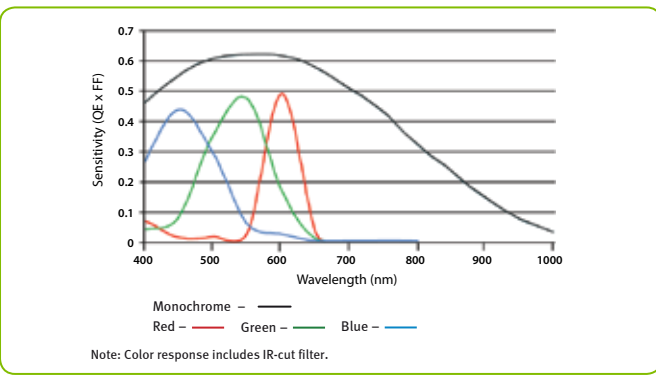
Pin	Signal
1	GND
2	+12V to +24V DC input
3	Opto In 2-
4	Opto In 2+
5	Opto In 1-
6	Opto In 1+
7	Opto Out 1-
8	Opto Out 1+
9	Opto Out 2-
10	Opto Out 2+
11	+12V to +24V DC input
12	GND

### GigE Vision Interface

RJ-45 (2) with locking screws

Pin	Signal
1	TRD+ (0)
2	TRD- (0)
3	TRD+ (1)
4	TRD+ (2)
5	TRD- (2)
6	TRD- (1)
7	TRD+ (3)
8	TRD- (3)

## Spectral Response



Authorized Distributor:

<p><b>Europe, Middle East &amp; Africa</b>                  Phone +45 4457 8888                  Fax +45 4491 3252</p>	<p><b>Asia Pacific</b>                  Phone +81 45 440 0154                  Fax +81 45 440 0166</p>
--	--

**UNIFORCE**  
SALES AND ENGINEERING  
Your single source for Imaging Solutions  
Ph. 510.657.4000  
info@uniforcesales.com  
www.uniforcesales.com

Visit our web site on [www.jai.com](http://www.jai.com)

See the possibilities

Company and product names mentioned in this datasheet are trademarks or registered trademarks of their respective owners. JAI/JS cannot be held responsible for any technical or typographical errors and reserves the right to make changes to products and documentation without prior notification.