

PRODUCT BRIEF

The PHLY product family regenerates signals for Camera Link cameras and frame grabbers to double the link distance. It is fully compatible with Base, Medium and Full configurations up to 85MHz pixel clocks. Separate modules for Base and Full configurations provide easy upgrade path from Base to Full configuration with cost savings. Flexible power supply options include PoCL pass-through, PoCL sharing and PoCL enable functions for PoCL compatible cameras and frame grabbers. PHLY also offers an option for supplying power to camera when frame grabber does not have PoCL function. Compact size, light weight and low cost make PHLY an ideal solution for Camera Link repeater.

KEY FEATURES

- ❖ Fully supports Camera Link cameras/framegrabbers up to 85MHz pixel clock
- ❖ Plug-and-Play, no programming required
- ❖ PoCL pass-through function allows PoCL compatible cameras to withdraw power from frame grabbers while PHLY power is supplied by its own DC input
- ❖ PoCL sharing function allows PoCL compatible cameras and PHLY to share power from frame grabbers
- ❖ PoCL enable function allows PHLY to withdraw power from frame grabber while camera is not PoCL compatible
- ❖ Optional power supply to camera when frame grabber does not have PoCL function
- ❖ Modules can be cascaded to increase link distance and share the same power source
- ❖ Single 5V~24V DC power supply

PHRONTIER™
TECHNOLOGIES

PHLY™ Mini Camera Link Repeater

PHLY-Bx
PHLY-Fx



PHLY Front View



PHLY Back View



TYPICAL SYSTEM SETUP

No external power supply is needed with PoCL power sharing function.



TECHNICAL SPECIFICATIONS

General Specification

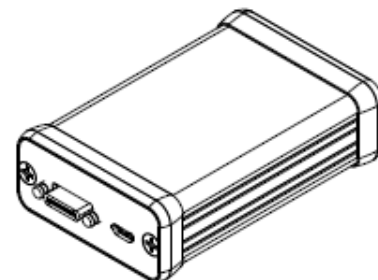
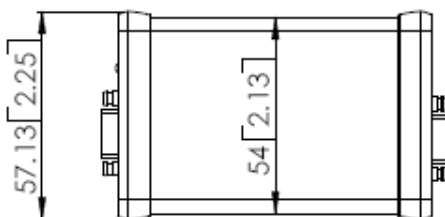
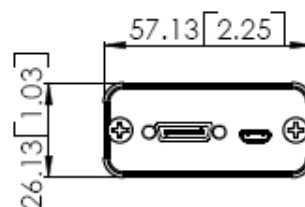
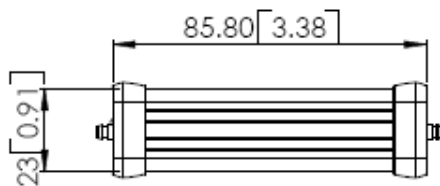
| | | | | |
|------------------------------|---------------------------|------------|------|-----------|
| Operating Temperature | 0 ~ 70 °C | | | |
| Input Voltage | DC 5 ~ 24 V | | | |
| Supply Current @ 12V | Base | Typ. 0.05A | Full | Typ. 0.1A |
| Power Consumption @25 °C | Base | Typ. 0.6W | Full | Typ. 1.2W |
| AC/DC Power Supply Connector | Micro-USB type B (5 pins) | | | |
| Weight (approx) | Base | 100 gram | Full | 100 gram |

Camera Link Interface

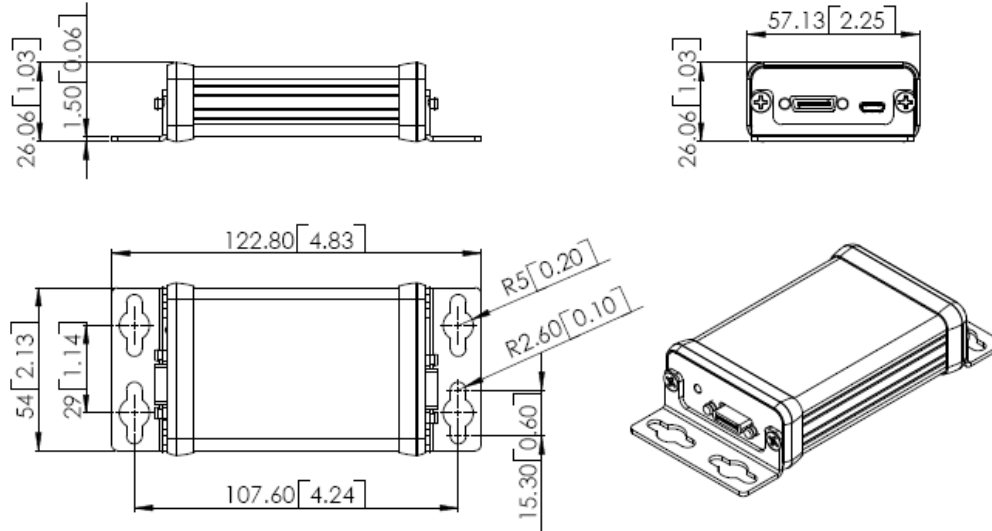
| | | | | |
|-------------------------------------|--|--|--|--|
| Pixel Clock | 20 to 85MHz | | | |
| Supported Camera Link Configuration | Base/Dual Base/Medium/Full/Extended Full | | | |
| Image Enables | FVAL, LVAL, DVAL, spare | | | |
| Camera Control | CC1, CC2, CC3, CC4 | | | |
| Communication | SerTC, SerTFG | | | |
| Connector Type | SDR26 receptacle (Mini Camera Link) | | | |

MECHANICAL INFORMATION (mm[inch])

Without Mounting Flange



With Optional Mounting Flange



ORDERING INFORMATION

| Part Numbers | Camera Link Config | Supported Camera | Supported Grabber | External Power Supply | Parts Included in Package |
|-----------------|--|------------------|-------------------|-----------------------|--|
| PHLY-B | Base | Non-PoCL | Non-PoCL | Required | 1x PHLY-Bx box 1x User manual |
| PHLY-B | | PoCL | PoCL | optional | |
| PHLY-BE | | Non-PoCL | PoCL | optional | |
| PHLY-BP | | PoCL | Non-PoCL | Required | |
| PHLY-F | Base Medium Full Ex-Full | Non-PoCL | Non-PoCL | Required | 1x PHLY-Bx box 1x PHLY-Ux box 1x User manual |
| PHLY-F | | PoCL | PoCL | optional | |
| PHLY-FE | | Non-PoCL | PoCL | optional | |
| PHLY-FP | | PoCL | Non-PoCL | Required | |
| PHLY-Ux | Individual module for use with PHLY-Bx to upgrade to Full configuration | | | | |
| PHLY-W | Optional mounting flange kit (includes two flanges) | | | | |
| 618-TR12-MUSB-1 | For PHLY-B, wall mount AC/DC adapter with single micro-USB plug | | | | |
| 618-TR12-MUSB-2 | For PHLY-F, Wall mount AC/DC adapter including Y-split cable assembly with two micro-USB plugs | | | | |

x = blank: Standard with PoCL pass-through and PoCL sharing function.
 = E: PoCL enable function for PoCL frame grabber and non-PoCL camera.
 = P: PHLY supply power to camera with non-PoCL frame grabber

Authorized Distributor:



Your single source for Imaging Solutions

Ph. 510.657.4000

info@uniforcesales.com

www.uniforcesales.com