

PHOX-F™

KEY FEATURE

- ❖ Provides 10 Gb/s or 1250 MB/s transporting bandwidth for image, GPIO and RS232
- ❖ Fully support Camera Link standard for Base, Medium, Full and 10tapx8bits modes
- ❖ Operating pixel clock range from 20 to 100 MHz exceeding Camera Link standard
- ❖ Plug-and-play – no changes or programming required for camera and/or frame grabber
- ❖ Optional 2- fiber LC duplex or 1-fiber LC simplex optical interface
- ❖ Includes 4 GPIO channels (2 inputs and 2 outputs) for external trigger and control
- ❖ Includes a full duplex RS232 for remote instrument control
- ❖ Accept 10V~24V DC input power with locking mechanism for industrial applications
- ❖ Extended operating temperature range are available
- ❖ Transmission distances:
 - OM3 Multi-mode fiber – up to 300m
 - Single-mode fiber – up to 80km

Applications

- ❖ Solar panel or glass panel inspection
- ❖ Semiconductor wafer inspection
- ❖ High speed printing inspection
- ❖ High precision surface inspection (e.g. airplane surface or automobile painting)
- ❖ Automated product inspection (e.g. food, drinking or pharmaceutical products)
- ❖ High resolution and real-time analysis for science, sports, automobile tests, and 3-D animation.
- ❖ High precision security surveillance (e.g. border control, airport)
- ❖ Traffic surveillance/control and vehicle license plate reading/recording (e.g. toll booth)
- ❖ Cameras placed in harsh environment (e.g. nuclear plant, steel mill or undersea monitoring)
- ❖ Other Machine Vision Applications

PHRONTIER™
TECHNOLOGIES

PHOX™ Camera Link Fiber Extender

**Base/Medium/Full
/Deca
Configuration**

**PHOX-FM-300
PHOX-FL-xx
PHOX-FL-L10
PHOX-FL-xx-Cxx**

PHOX Front View



PHOX Back View



Authorized Distributor:

UNIFORCE
SALES AND ENGINEERING

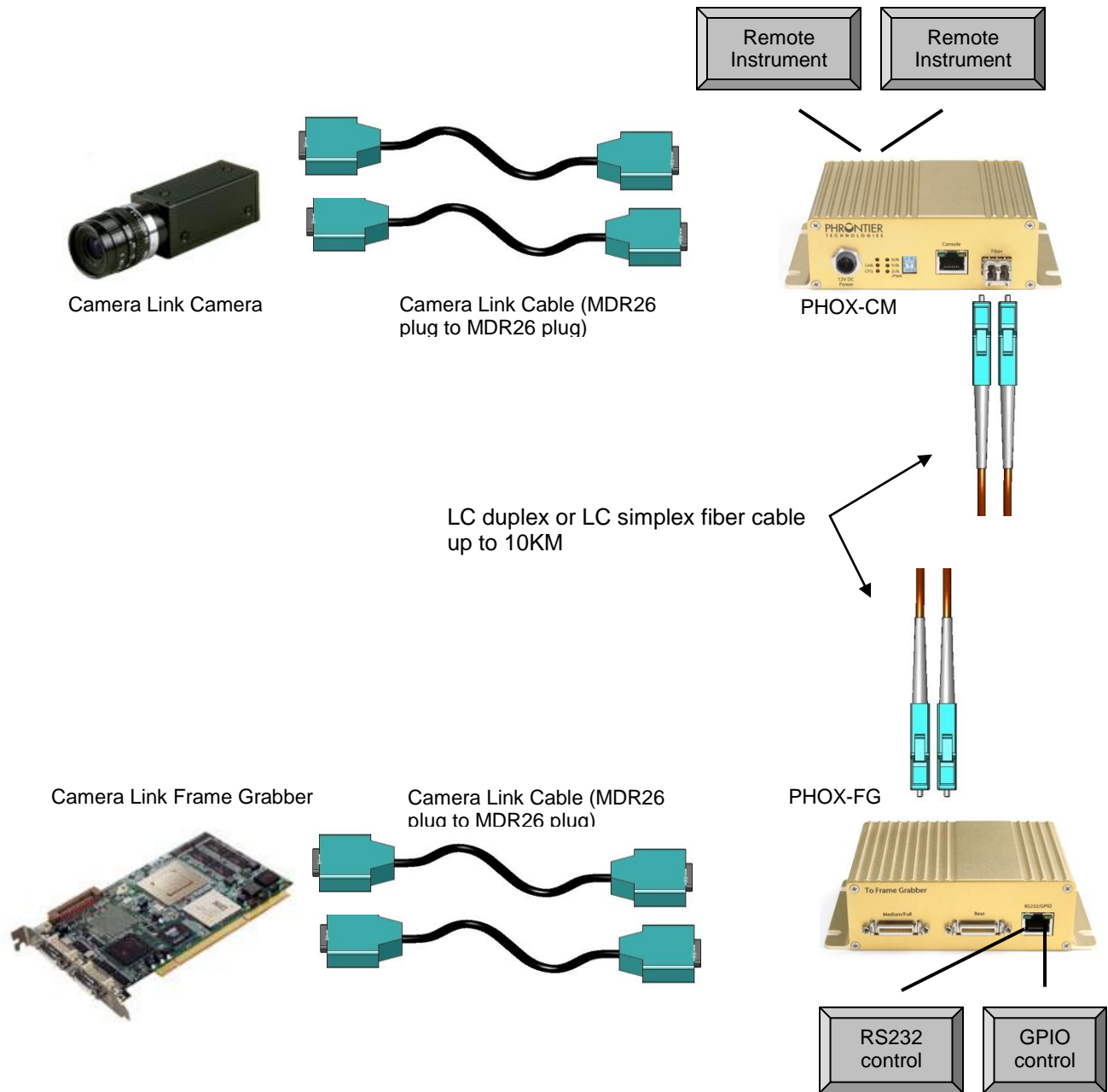
Your single source for Imaging Solutions

Ph. 510.657.4000

info@uniforcesales.com

www.uniforcesales.com

TYPICAL SET UP DIAGRAM



Fiber Guide

- Use 62.5/125 OM1 MM fiber for <30 m
- Use 50/125 OM2 MM fiber for <80 m
- Use 50/125 OM3 MM fiber for <300 m
- Use 9/125 SM fiber for <10 km

TECHNICAL SPECIFICATIONS**General Specification**

Operating Case Temperature	Standard	0 ~ 55 °C		
	Extended	-40 ~ 70 °C		
Operating Humidity	20 ~ 80% (non-condensing)			
Input Voltage	DC 10 ~ 24 V			
Supply Current @12V	CM module	0.5 Amp	FG module	0.6 Amp
Typical Power Consumption	CM module	6 Watt	FG module	7.2 Watt
Connector Type	Switchcraft TRAPC3MX			
Approx. Weight (each module)	325 g			

Camera Link Interface

Pixel Clock Range	20 ~ 100 MHz
Supported Camera Modes	Base/Medium/Full/10 tapsx8 bits
Image Data Throughput	8.4 Gbits/s or 1050 Mbytes/s
Connector Type	MDR26 x2

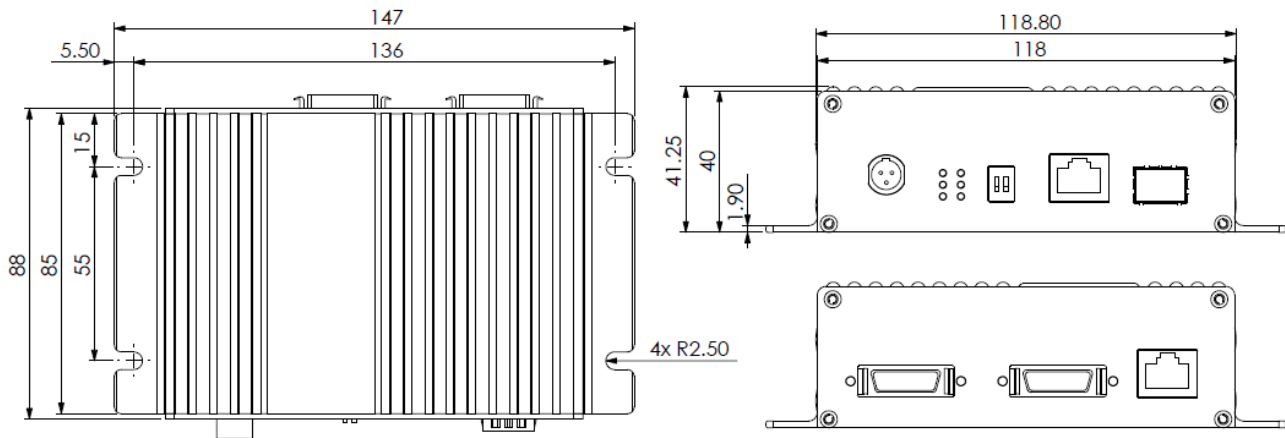
Additional Input/Output Interface

GPIO Interface (optional)	
Number of I/O Channels	2 input and 2 output
Operating Voltage	0~3.3V
Max. Data Rate	250 Kbps
Connector Type	RJ45
RS232 Interface	
Number of Data Channels	one TxD and one RxD
Operating Voltage	Input: +/- 25V, Output: +/- 6V
Max Data Rate	250 Kbps
Connector Type	RJ45

Optical Interface

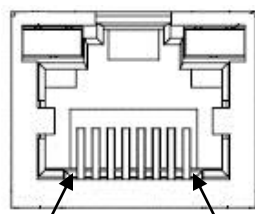
	PHOX-FM-300	PHOX-FL-10	PHOX-FL-40	PHOX-FL-80	PHOX-FL-14-Cxx	PHOX-FL-L10
Operating Wavelength	850nm	1310nm	1310nm	1550nm	1270 ~ 1610 with 20nm spacing	CM: 1270 nm FG: 1330 nm
Min Optical Tx Output Power	-5 ~ -1 dBm	-8 ~ +0.5 dBm	-3 ~ +4 dBm	0 ~ +4 dBm	-1 ~ +3 dBm	-5 ~ 0 dBm
Min Optical Rx Input Power	-11.1 dBm	-14 dBm	-19 dBm	--22 dBm	-15 dBm	-14 dBm
Connector Type	LC duplex	LC duplex				LC simplex
Fiber Type	50/125 μ m MM fibers	9/125 μ m SM fibers				

MECHANICAL INFORMATION (mm)



RS232 and GPIO PIN ASSIGNMENT (RJ45)

Note: RS232 is connected by default. GPIO is optional and not connected in standard product. Please contact sales representative for this option before purchase.



Pin 8 Pin 1

- | | |
|--------------|--------------|
| 1: GPIO TX1 | 5: GND |
| 2: GPIO TX2 | 6: RS232 RxD |
| 3: RS232 TxD | 7: GPIO RX1 |
| 4: GND | 8: GPIO RX2 |

ORDERING INFORMATION

Model #	Operating Temperature	Transport Distance*	Items included
PHOX-FM-300	Standard	OM1 fiber up to 30 m OM2 fiber up to 80 m OM3 fiber up to 300 m	1x PHOX camera (CM) side module 1x PHOX frame grabber (FG) side module 2x 12V international wall mount AC/DC power adapters (LC duplex fiber cable not included)
PHOX-FM-300-T	Extended		
PHOX-FL-10	Standard	Up to 10 km	
PHOX-FL-10-T	Extended		
PHOX-FL-40	Standard	Up to 40 km	
PHOX-FL-80	Standard	Up to 80 km	
PHOX-FL-L10	Standard	Single fiber up to 10 km	

Note:

* Distance depending on fiber type and system design. 300 m is estimated based on 50/125 OM3 MM fiber and 10 km is estimated based on 9/125 SM fiber. Extra optical losses in the system will reduce the maximum transmission distance.

CWDM models (users need to specify wavelengths for CM and FG modules)

Model #	Optical Power Budget	Optical Wavelengths	Items Provided
PHOX-FL-14-Cxx	14dB	xx=27 for 1270 nm xx=29 for 1290 nm xx=31 for 1310 nm xx=33 for 1330 nm xx=35 for 1350 nm xx=37 for 1370 nm	1x PHOX camera (CM) side module 1x PHOX frame grabber (FG) side module 2x 12V international wall mount AC/DC power adapters (LC duplex fiber cable not included)
PHOX-FL-16-Cxx	16dB	xx=39 for 1390 nm xx=41 for 1410 nm xx=43 for 1430 nm xx=45 for 1450 nm xx=47 for 1470 nm xx=49 for 1490 nm	
PHOX-FL-24-Cxx	24dB	xx=51 for 1510 nm xx=53 for 1530 nm xx=55 for 1550 nm xx=57 for 1570 nm xx=59 for 1590 nm xx=61 for 1610 nm	

Accessory:

Part #	Description
TR10R120-12A03	12V DC international wall mount AC/DC adapter with Switchcraft TA3FX
614-14T26-xx-0LC	Camera Link cable – Plug to Plug. xx = desired length in meters.
LC-LC-MD-xxM2	LC to LC duplex 50/125 μ m OM2 MM fiber. xx = desired length in meters.
LC-LC-MD-xxM3	LC to LC duplex 50/125 μ m OM3 MM fiber. xx = desired length in meters.
PXF-DB9RJ45-6	6 ft RJ45 plug to DB9 female cable



Authorized Distributor:



Your single source for Imaging Solutions

Ph. 510.657.4000

info@uniforcesales.com

www.uniforcesales.com

The Camera Link logo is a registered trademark of AIA. Phrontier™ and PHOX™ are trademarks of Phrontier Technologies. All rights reserved. Copy Right © 2016