

# CEI Machine Vision Camera Enclosure Adjustable Mount

As a leading innovator in the Machine Vision Industry, CEI is proud to introduce our new line of Machine Vision Camera Enclosures, Cables, and Accessories for demanding vision applications.

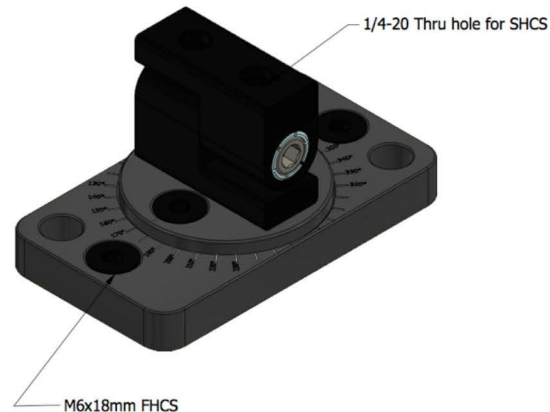
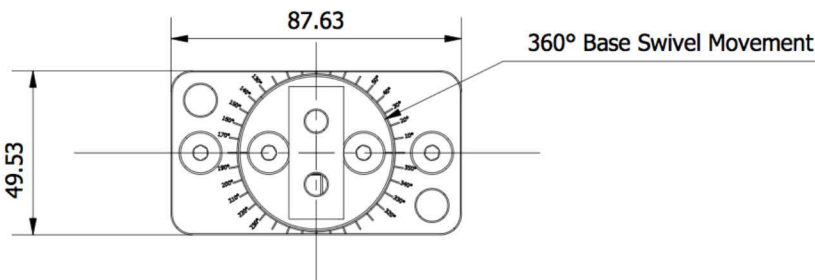
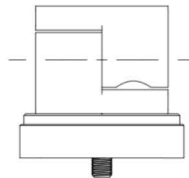
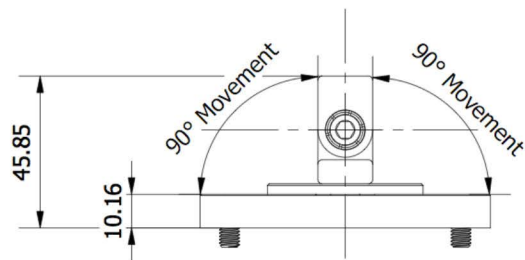
## EN-M4 Adjustable Camera Mount

- CEI part number: EN-M4
- Supports 360° rotation, 180° tilting
- Index marks for quick repeatable setups
- Strong collet-style tilt lock
- Lightweight low-profile design
- Type 2 anodizing
- Competitive pricing
- Made in USA, Patent Pending

Contact CEI for Application and Configuration Details.



EN-M4 Mount shown with  
CEI 38mm IP67 Round Enclosure



Call Components Express, Inc. at 630-257-0605 for Ordering Information.

IP67\_Round - Rev A



[www.uniforcesales.com](http://www.uniforcesales.com) (510) 657 - 4000 Call Us Today

